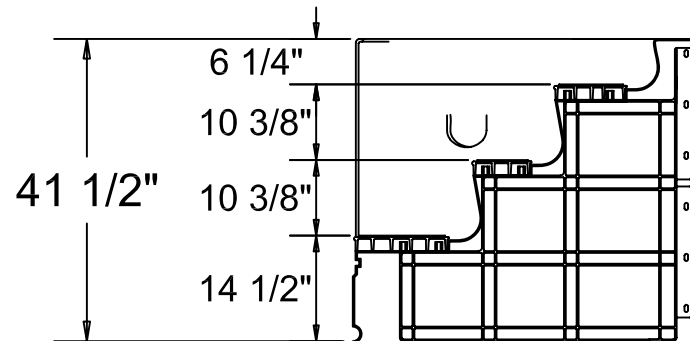
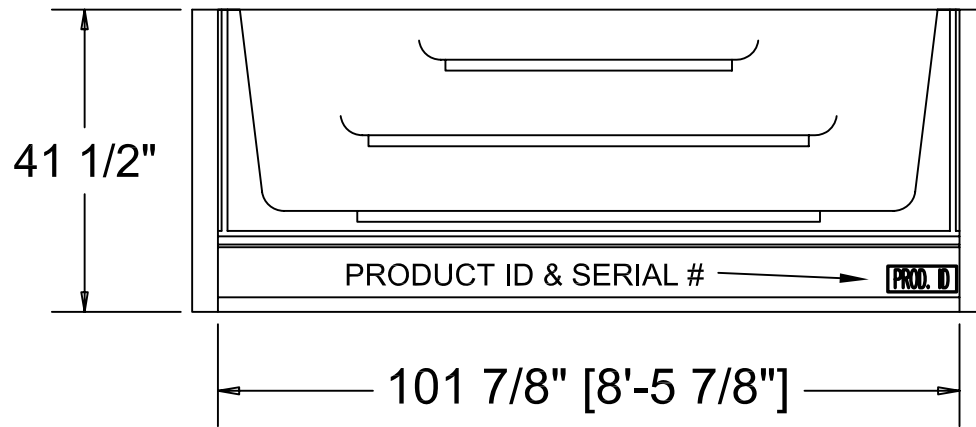


REPLACEMENT PARTS:
 -PH3001 FACEPLATE REPLACEMENT KIT
 -PH3010 FACEPLATE CORNER PROTECTOR
 -PH3461 INSIDE CORNER TRIM CAP CANT.

STEP KIT INCLUDES BRACES:
 -(1) PH3392 - CORNER STEP CENTER BRACE
 -(2) PH3393 - CORNER STEP DIAGONAL BRACE

A handrail is recommended to be installed with every step.



Each tread must be supported.

CONFIDENTIAL INFORMATION

ALL MATERIAL CONTAINED HEREIN IS THE EXCLUSIVE PROPERTY OF LATHAM INTERNATIONAL AND MAY NOT BE COPIED OR DUPLICATED IN ANY FORM OR USED FOR ANY COMMERCIAL PURPOSE WITHOUT THE EXPRESSED WRITTEN CONSENT OF LATHAM INTERNATIONAL

Dimensions shown are approximate and are for planning only.

THERMOPLASTIC 2' RAD. INSIDE CORNER STEP CANTILEVER

PART #: ST0019B	WEIGHT:	MACHINE TIME: N/A	FILE/DIRECTORY:
LATHAM INTERNATIONAL	TOLERANCES EXCEPT AS NOTED 0/0 0.0 0.00 0.000 0'	MATERIAL:	DATE: 1/01/2011
	±1/8 ±0.25 ±0.0625 ±0.03125 ±1/2'	DRAWN BY:	NOTES:
		SHEET: 1 OF 1	